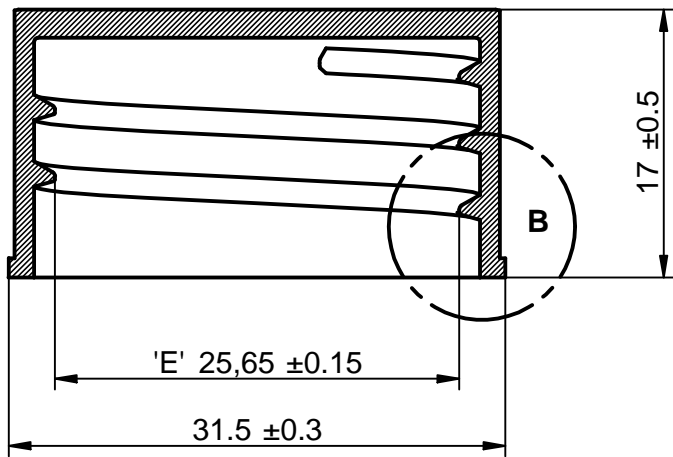
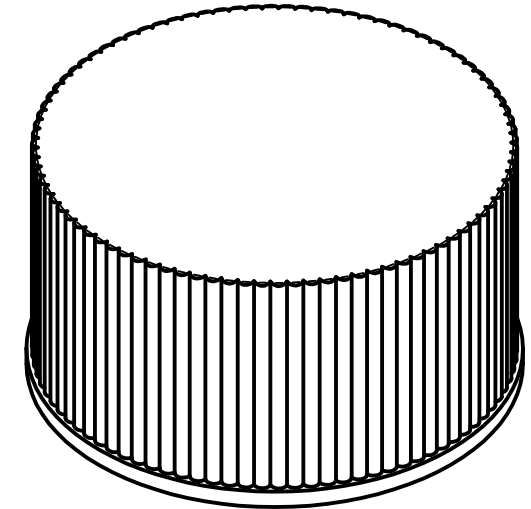
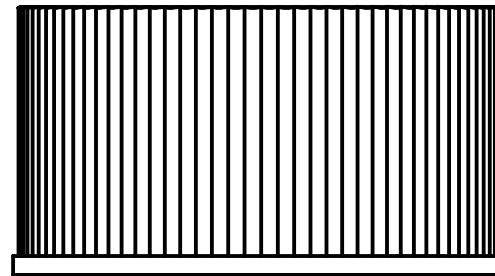
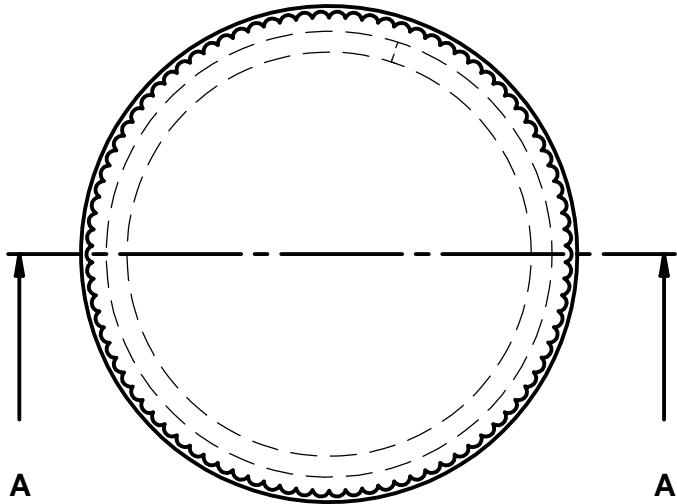
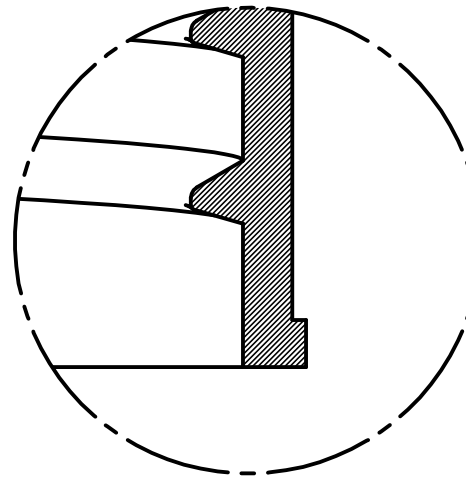


REVISION HISTORY

REV	DESCRIPTION	DATE




SECTION A-A



DETAIL B
5:1

UNLESS OTHERWISE SPECIFIED
DIMENSIONS ARE IN MILLIMETERS
ANGLES ±X.X°
2 PL ±X.XX 3 PL ±X.XXX

	DRAWN	DATE	
NAME	John	11/Jan/17	
CHECKED		17/Feb/09	TITLE
SCALE	1 : 1	SHEET 1 OF 1	28/410 Tamper Seal
SIZE A4	FILE NAME: 28410CapDimensionsCustomers.dft		REV 1