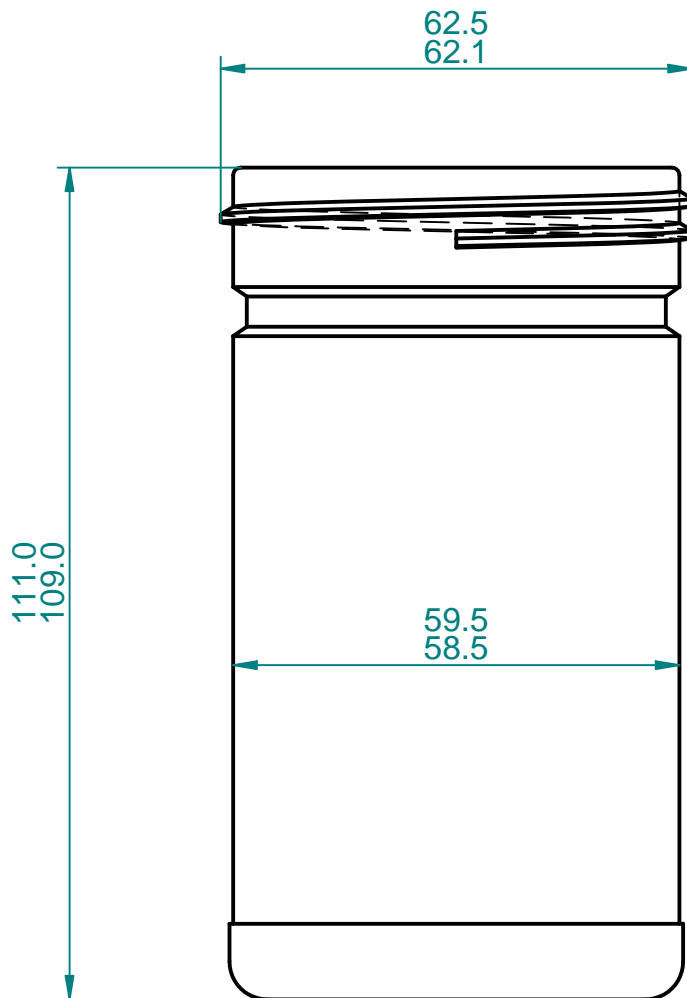



REVISION HISTORY		
REV	DESCRIPTION	DATE



UNLESS OTHERWISE SPECIFIED
 DIMENSIONS ARE IN MILLIMETERS
 ANGLES ±X.X°
 2 PL ±X.XX 3 PL ±X.XXX

	DRAWN	DATE	
NAME	Factory	26/Jan/12	
CHECKED			TITLE
SCALE	1:1	SHEET 1 OF 1	200ml Mail Can
SIZE A4	FILE NAME: 200mlCanisterCustomerDims.dft		REV 3