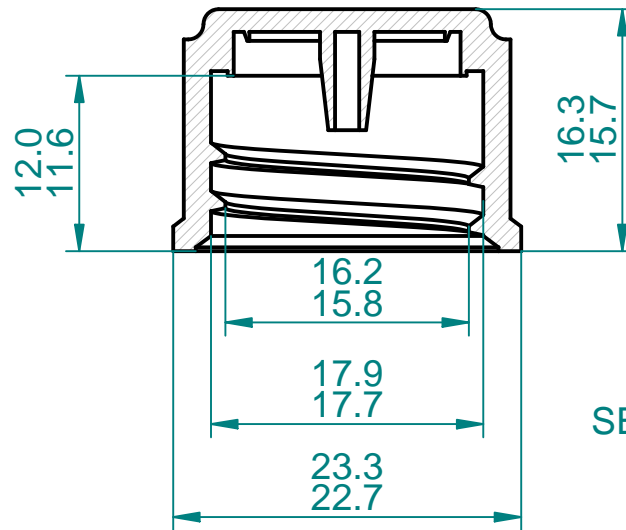
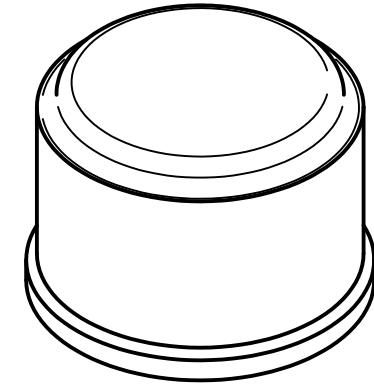
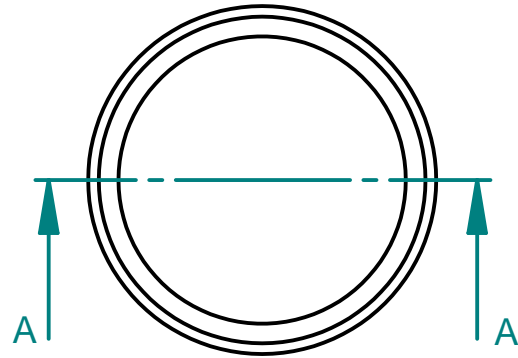



| REVISION HISTORY | | |
|------------------|-------------|------|
| REV | DESCRIPTION | DATE |
| | | |

Ribbed Finish (Not Shown)



SECTION A-A
2:1

UNLESS OTHERWISE SPECIFIED
DIMENSIONS ARE IN MILLIMETERS
ANGLES ±XX°
2 PL ±X.XX 3 PL ±X.XXX

| | | | |
|---------|---|--------------|--|
| | DRAWN | DATE |  AMT PACKAGING |
| NAME | John | 26/Jan/12 | |
| CHECKED | | | TITLE |
| SCALE | 3.5:1 | SHEET 1 OF 1 | 18410 Dripper Cap |
| SIZE | FILE NAME: Cap Customers No Dripper.dft | | REV |
| A4 | | | 1 |