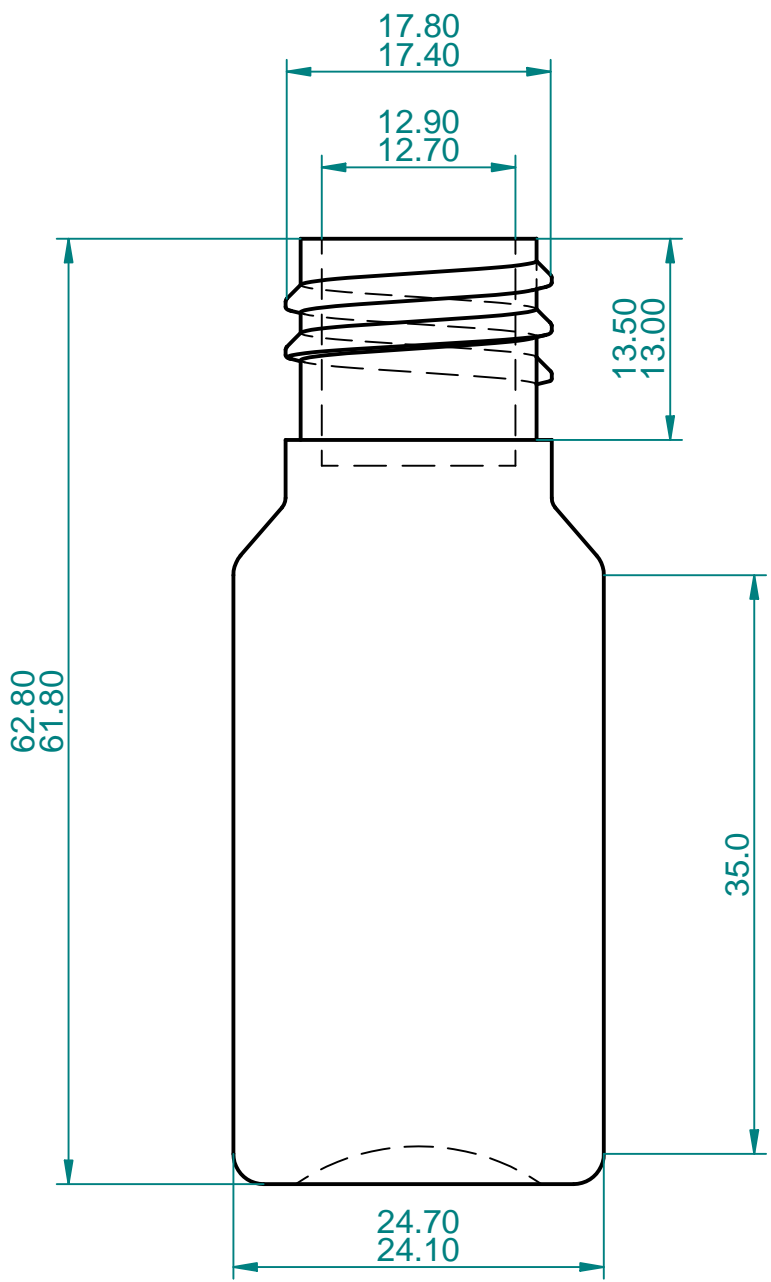



REVISION HISTORY		
REV	DESCRIPTION	DATE



UNLESS OTHERWISE SPECIFIED
 DIMENSIONS ARE IN MILLIMETERS
 ANGLES ±X.X°
 2 PL ±X.XX 3 PL ±X.XXX

	DRAWN	DATE	
NAME	John	12/Mar/13	
CHECKED			TITLE
SCALE	2:1	SHEET 1 OF 1	15ml Bottle
SIZE A4	FILE NAME: Bottle Customer.dft		REV 1