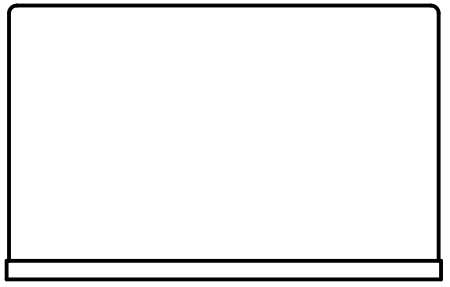
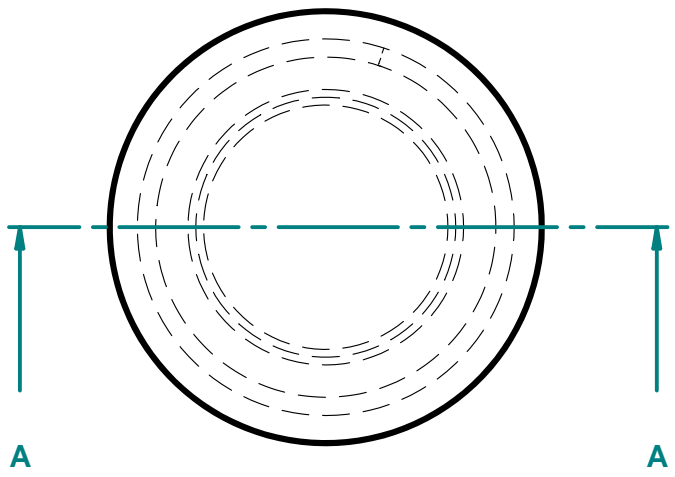
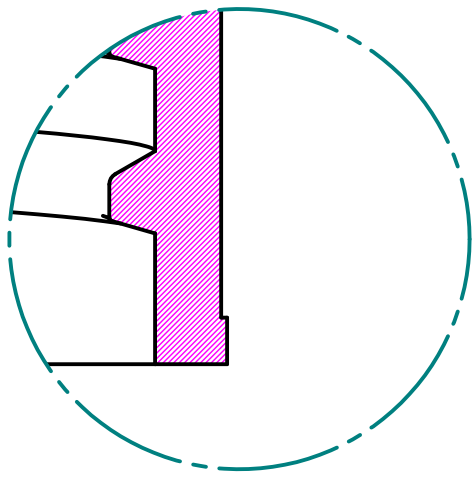
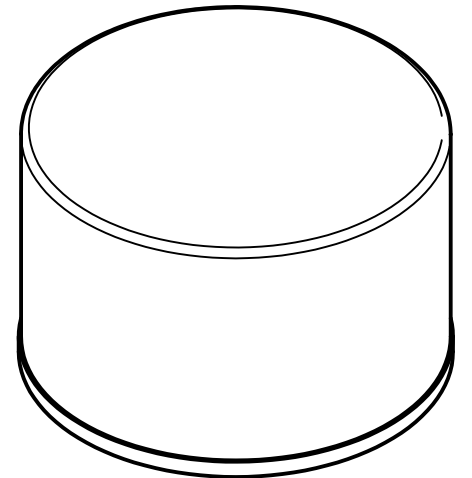


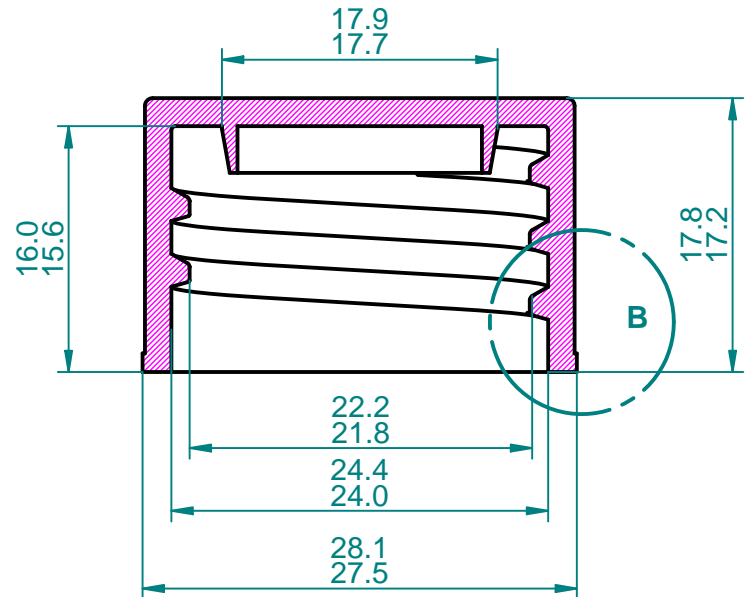
REVISION HISTORY		
REV	DESCRIPTION	DATE



Ribbing Not Shown




DETAIL B
5:1



SECTION A-A

UNLESS OTHERWISE SPECIFIED
DIMENSIONS ARE IN MILLIMETERS
ANGLES ±X.X°
2 PL ±X.XX 3 PL ±X.XXX

	DRAWN	DATE	
NAME	John	15/Jul/12	
CHECKED			TITLE
SCALE	1:1	SHEET 1 OF 1	24410 Wedge Cap
SIZE	FILE NAME: 24410CapDimensionsCustomers.dft		REV
A4			1